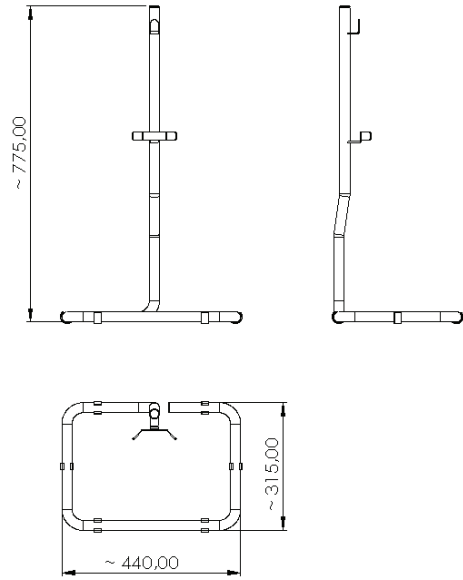


**Description**

The fire extinguisher stands with a rectangular base is suitable for fire extinguishers with a back hook welded on the cylinder. Single stand complete with: the support, plastic feet and tube closing cap.



CODE	DESCRIPTION
A.AC.PE.R.QS.SA	FLOORSTANDING RED PAINTED WITH HOOK FOR FIRE EXT WITH BACK HOOK
A.AC.PE.R.AS.CA	FLAGSTAFF RED PAINTED FOR FLOOR STANDINGS

